



Qove

LOUNGE
DISASSEMBLY INSTRUCTIONS

ofs

Qove Lounge

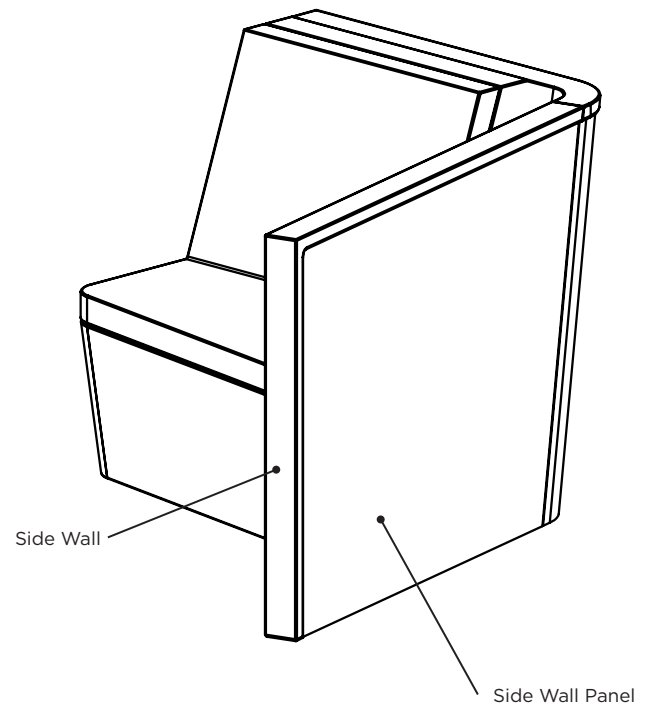
DISASSEMBLY INSTRUCTIONS

MATERIALS

Flat Bar or similar tool

Side Wall Panel Disassembly

1. Remove side wall panel by gently prying side wall panel away from side wall. Insert a flat bar or similar tool under the wall in the small space between the two parts.



Qove Lounge

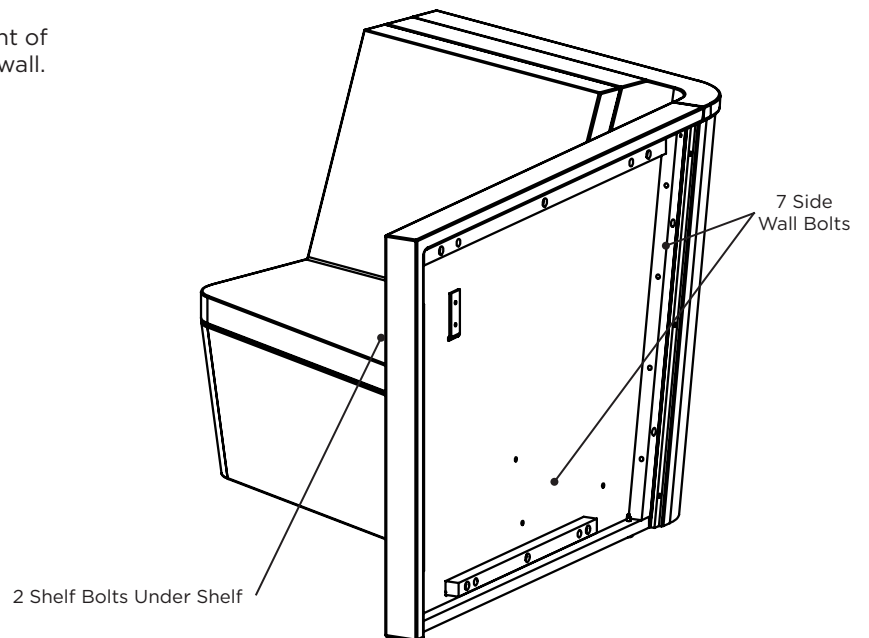
DISASSEMBLY INSTRUCTIONS

MATERIALS

Large Philips Head Screwdriver
7/16" Hex Drive Socket

Side Wall Panel Disassembly

2. Remove side wall by removing 2 bolts under front of shelf and removing 7 bolts from outside of side wall. (3 inside of wall and 4 in rear rail of wall)



Qove Lounge

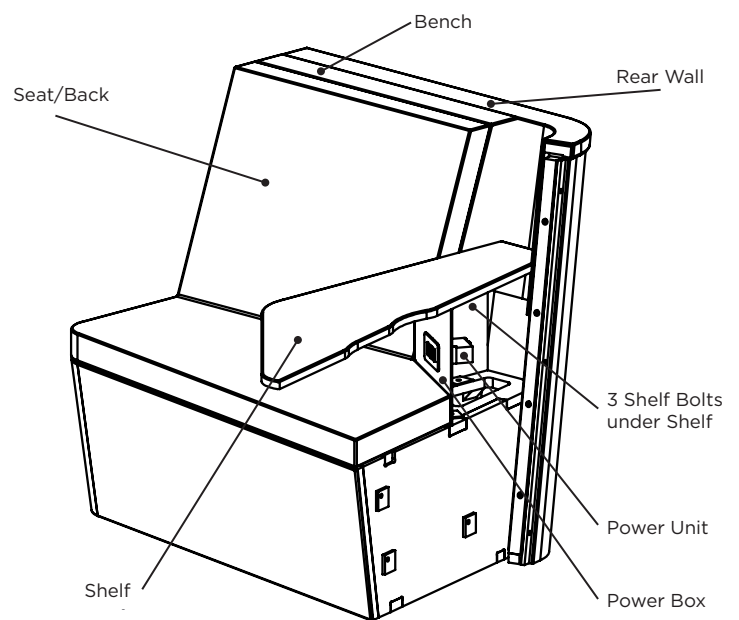
DISASSEMBLY INSTRUCTIONS

MATERIALS

Large Philips Head Screwdriver

Shelf Removal

3. Remove shelf by removing 3 bolts under shelf that attach the shelf to the power box.



Qove Lounge

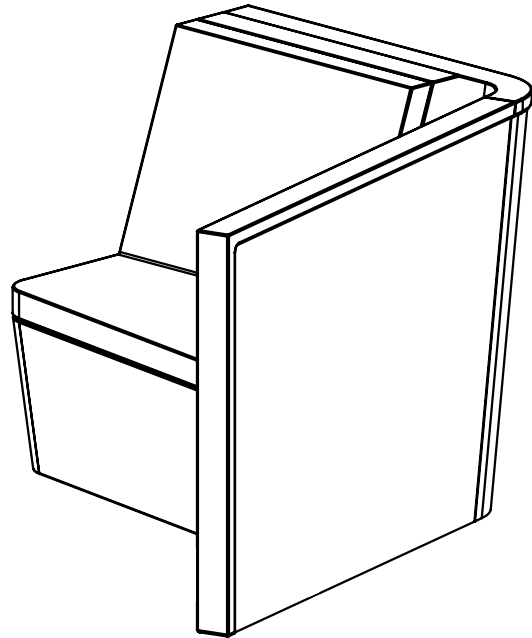
DISASSEMBLY INSTRUCTIONS

MATERIALS

Large Philips Head Screwdriver
7/16" Hex Drive Socket

Reassembly of Qove

4. Reassemble in reverse order; Steps 3 through 1.

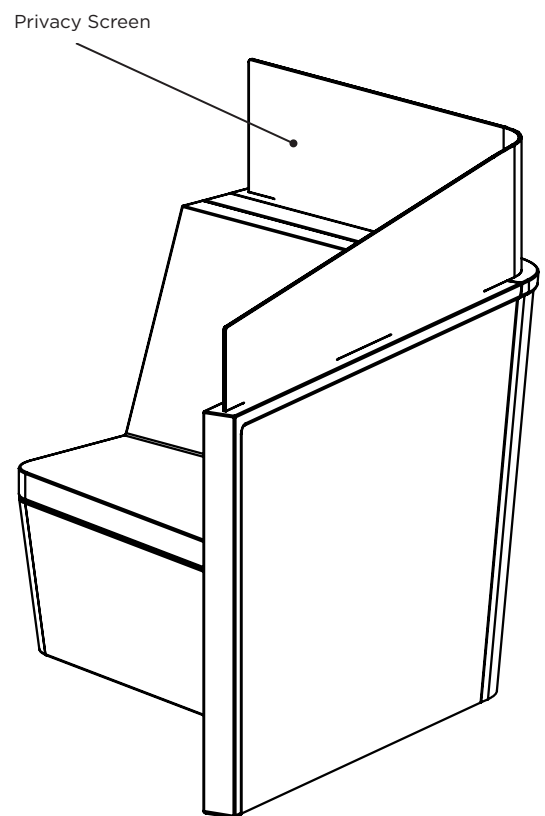


Qove Lounge

DISASSEMBLY INSTRUCTIONS

Privacy Screen Installation

5. Assemble privacy screen by aligning it up with the grooves in the wall and inserting the privacy screen until it sits flat upon the upholstery.



Qove

LOUNGE DISASSEMBLY INSTRUCTIONS

